



Leroy 3 Seater Lounge

ⓘ The components are heavy, assembly should be performed by two people.

If you have any difficulty with assembly or operation, please contact the store of purchase in the first instance.

Please read the below safety & electrical instructions before operating

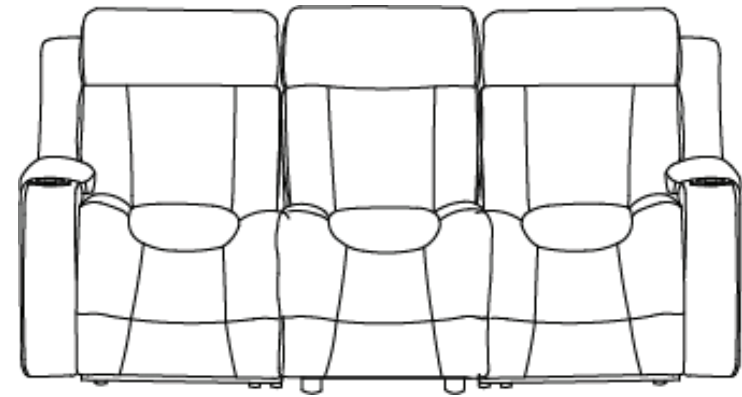
Safety Instructions

- This product is not intended for use by persons (including children) with reduced physical, sensory or mental capabilities, or lack of experience and knowledge, unless they have been given supervision or instruction concerning use of the product by a person responsible for their safety.
- Ensure there is no person, animal or item obstructing the area under the footrest before operating this product.
- Improper use or installation may result in the risk of fire, electric shock and/or injury. We assume no liability for any eventual damages caused by improper use or inappropriate handling, or by any other non-compliance with the instructions in this manual.
- Children should be supervised to ensure that they do not play with the product.
- This product contains moving parts. Keep fingers, hair and body parts well clear from moving parts. To reduce the risk of injury, keep children and pets clear of the product when in use.
- Do not sit or place additional weight on the arms, back or open footrest.
- This product is very heavy. Only move this product by lifting the main body. Never drag by the footrest, back or arm rest.
- Return this product to the full upright position to stand safely and prevent a tripping hazard.
- Do not operate this product if damage is visible in any form.
- Do not modify or use unauthorised substitute parts.
- This product has been designed and intended for indoor residential use only. It is not suitable for commercial or outdoor use.
- This product is not intended to be used as part of a health care plan. Consult your medical professional before operating if you are taking medication or have physical limitations.

Electrical Instructions

- Never force the back or footrest to close faster than the electric motor.
- Before commencing cleaning or maintenance, ensure this product is disconnected from the power outlet and the back is in the full upright position.
- Disconnect this product from the power outlet before moving.
- Cease operation and disconnect from the power outlet if you ever detect a burning odour or smoke coming from the product.
- Do not operate this product if liquid spillage occurs on or around it. Disconnect from the power outlet and allow product to completely dry before reconnecting.
- Do not operate the power functions or charge station with wet hands.
- Check the condition of the power cord, electrical cords, transformer, plug and connector on a monthly basis. Do not operate if wear is visible.
- Ensure the power cord, electrical cords and transformer are clear of moving parts and not trapped underneath the base.
- Position the power cord to minimise a tripping hazard.
- Never attempt to open or disassemble electrical components.
- We recommend the use of a surge protector (not included).

Synargy is a registered responsible supplier on ERAC. Electrical components within our products have been tested to comply with legal requirements imposed for electrical safety and EMC.

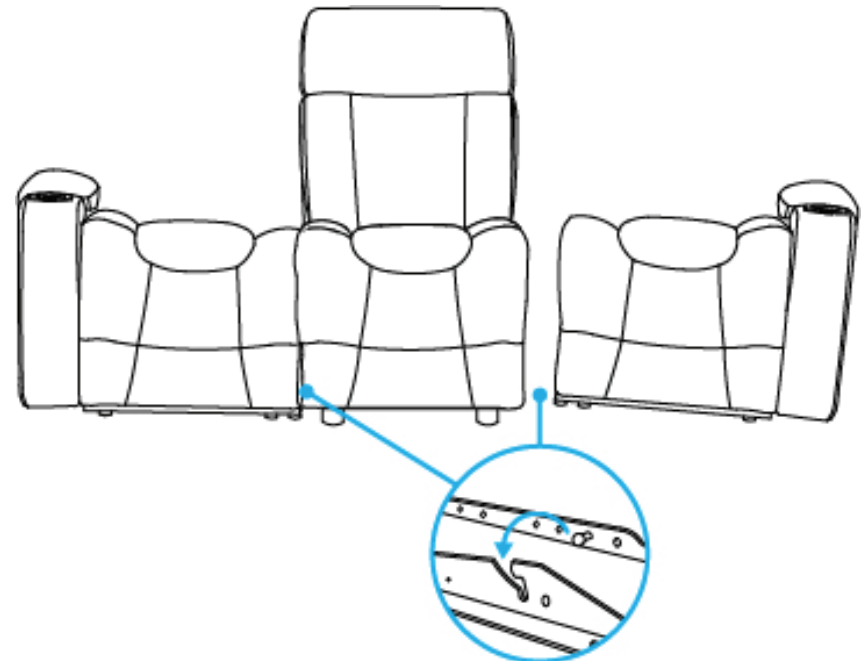


Step 1

Remove all packaging and set aside in a safe location before disposal or recycling of applicable materials. Inside the armrest storage compartment, there is a package containing the power cable - set the power cable aside for the final step.

Step 2

Connect the seat bases to the center seat using the pairs of interlocking pins at the bottom of the frames. Ensure cables are kept clear to avoid damage.



ASSEMBLY INSTRUCTIONS

LEROY LOUNGE 3 SEATER

- ⓘ Make sure all plugs are connected on the product before plugging the power cords into a wall outlet - otherwise product damage may occur. The USB ports (where applicable) are designed with working voltage of 5V and can NOT be used to supply power for laptop computers (neither PC or Mac). Plugging a laptop computer to the USB port may end up damaging either the computer or the USB port due to unmatched working voltage.

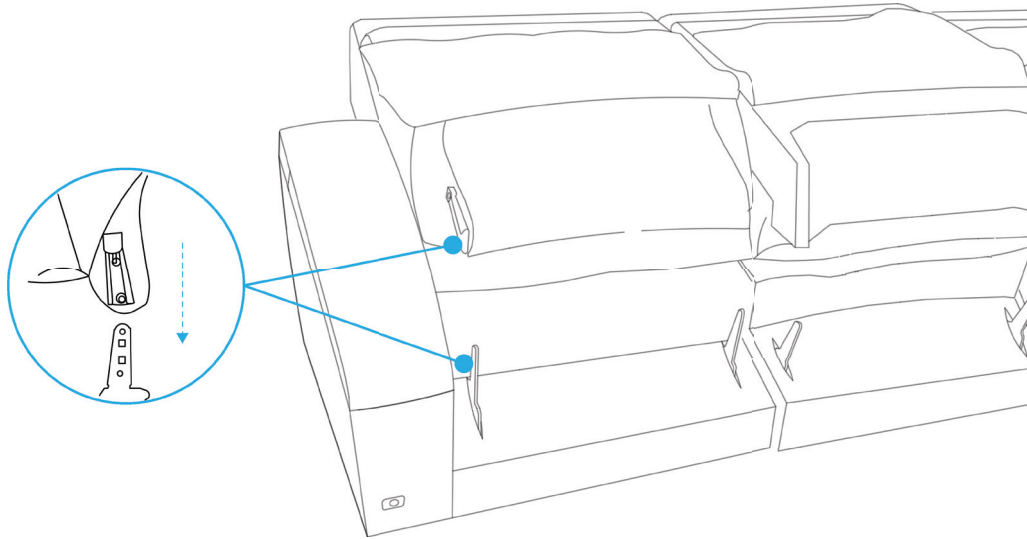


Scan QR code for a video of this step

Step 3

Identify the backrests for left hand side and right hand side - and place them facing down on the seat bases.

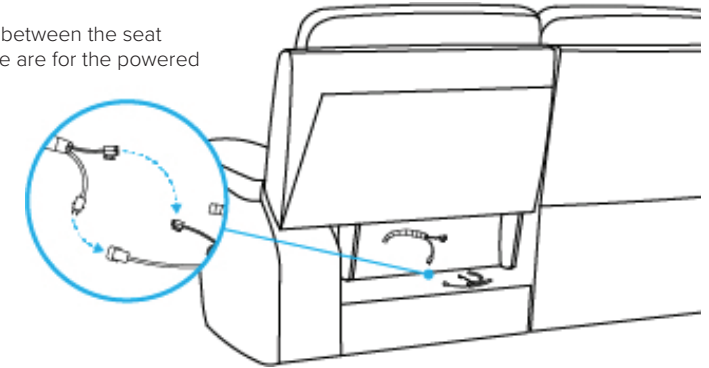
Lift each backrest individually to align the metal receivers with the metal posts of the chair base. Allow the posts to slide into the receivers and press down firmly on the top of the backrest until a click is heard on each side.



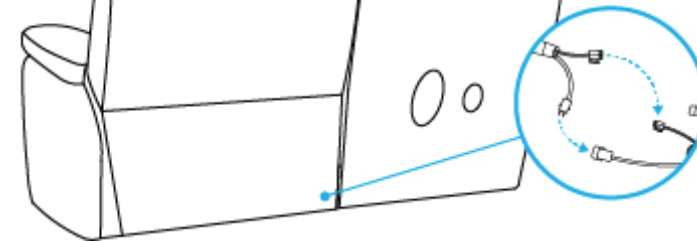
Step 4

Make the electrical connections for each seat as below:

Begin by connecting the plugs between the seat backrests and seat bases, these are for the powered headrest and speaker.



Secondly connect the plugs between the seat bases, these are for connecting the electrical functions between seats



Step 5

Plug the power cable into the outlet located at the bottom of the middle seat, and plug into a wall outlet.

Your suite assembly is now complete. Please ensure you have read the safety and electrical instructions before operating.



Leroy 2 Seater Lounge

ⓘ The components are heavy, assembly should be performed by two people.

If you have any difficulty with assembly or operation, please contact the store of purchase in the first instance.

Please read the below safety & electrical instructions before operating

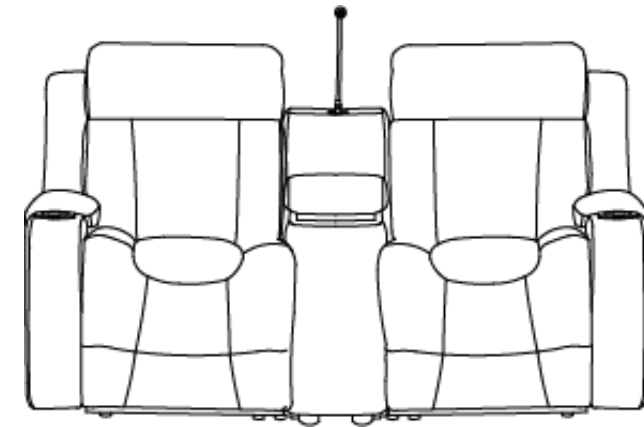
Safety Instructions

- This product is not intended for use by persons (including children) with reduced physical, sensory or mental capabilities, or lack of experience and knowledge, unless they have been given supervision or instruction concerning use of the product by a person responsible for their safety.
- Ensure there is no person, animal or item obstructing the area under the footrest before operating this product.
- Improper use or installation may result in the risk of fire, electric shock and/or injury. We assume no liability for any eventual damages caused by improper use or inappropriate handling, or by any other non-compliance with the instructions in this manual.
- Children should be supervised to ensure that they do not play with the product.
- This product contains moving parts. Keep fingers, hair and body parts well clear from moving parts. To reduce the risk of injury, keep children and pets clear of the product when in use.
- Do not sit or place additional weight on the arms, back or open footrest.
- This product is very heavy. Only move this product by lifting the main body. Never drag by the footrest, back or arm rest.
- Return this product to the full upright position to stand safely and prevent a tripping hazard.
- Do not operate this product if damage is visible in any form.
- Do not modify or use unauthorised substitute parts.
- This product has been designed and intended for indoor residential use only. It is not suitable for commercial or outdoor use.
- This product is not intended to be used as part of a health care plan. Consult your medical professional before operating if you are taking medication or have physical limitations.

Electrical Instructions

- Never force the back or footrest to close faster than the electric motor.
- Before commencing cleaning or maintenance, ensure this product is disconnected from the power outlet and the back is in the full upright position.
- Disconnect this product from the power outlet before moving.
- Cease operation and disconnect from the power outlet if you ever detect a burning odour or smoke coming from the product.
- Do not operate this product if liquid spillage occurs on or around it. Disconnect from the power outlet and allow product to completely dry before reconnecting.
- Do not operate the power functions or charge station with wet hands.
- Check the condition of the power cord, electrical cords, transformer, plug and connector on a monthly basis. Do not operate if wear is visible.
- Ensure the power cord, electrical cords and transformer are clear of moving parts and not trapped underneath the base.
- Position the power cord to minimise a tripping hazard.
- Never attempt to open or disassemble electrical components.
- We recommend the use of a surge protector (not included).

Synargy is a registered responsible supplier on ERAC. Electrical components within our products have been tested to comply with legal requirements imposed for electrical safety and EMC.

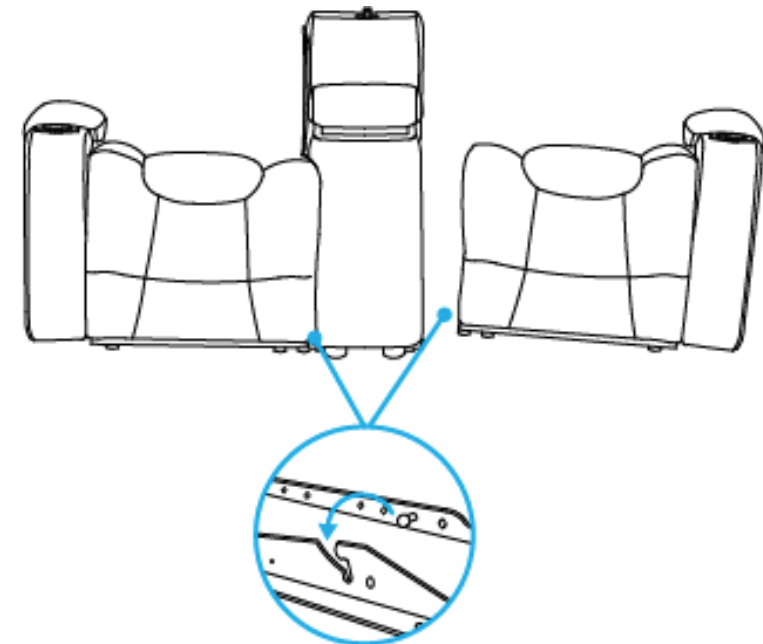


Step 1

Remove all packaging and set aside in a safe location before disposal or recycling of applicable materials. Inside the armrest storage compartment, there is a package containing the power cable, reading light and remote control for the audio system - set these items aside for now.

Step 2

Connect the seat bases and center console together using the pairs of interlocking pins at the bottom of the frames. Ensure cables are kept clear to avoid damage.



ASSEMBLY INSTRUCTIONS LEROY LOUNGE 2 SEATER

- ⓘ Make sure all plugs are connected on the product before plugging the power cords into a wall outlet - otherwise product damage may occur. The USB ports (where applicable) are designed with working voltage of 5V and can NOT be used to supply power for laptop computers (neither PC or Mac). Plugging a laptop computer to the USB port may end up damaging either the computer or the USB port due to unmatched working voltage.

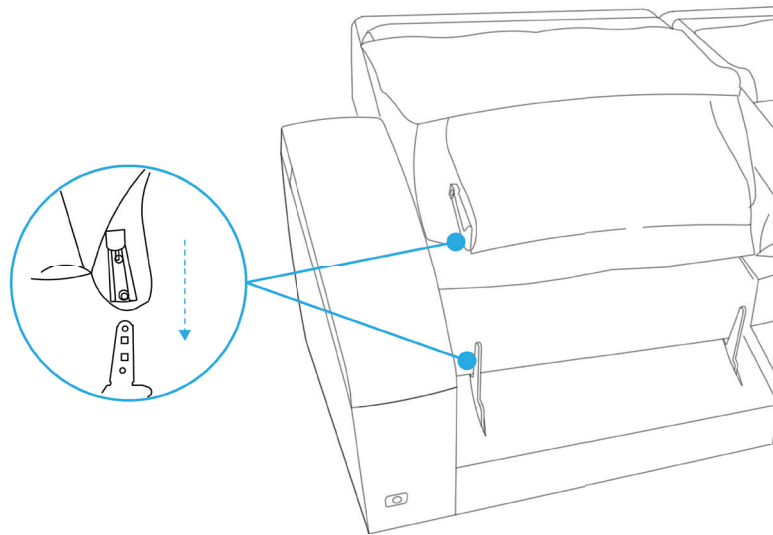


Scan QR code for a video of this step

Step 3

Identify the backrests for left and right hand sides - and place them facing down on the seat bases.

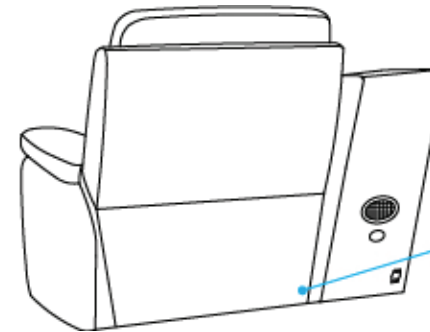
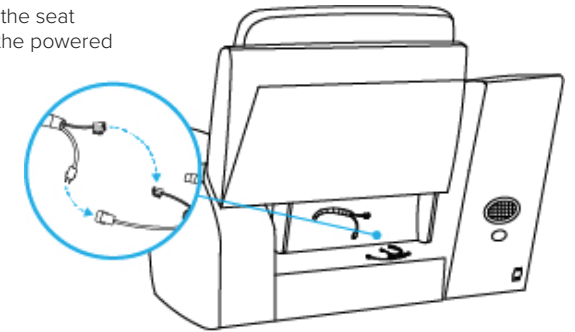
Lift each backrest individually to align the metal receivers with the metal posts of the chair base. Allow the posts to slide into the receivers and press down firmly on the top of the backrest until a click is heard on each side.



Step 4

Make the electrical connections for each seat as below:

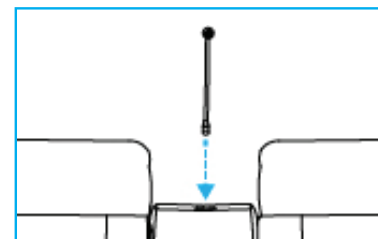
Begin by connecting the plugs between the seat backrests and seat bases, these are for the powered headrest and speaker.



Secondly connect the plugs between the seat bases and center console, these are for connecting the electrical functions between seats

Step 5

Plug the reading light into the power socket at the top of the center console (reading light can be found inside the center console's storage compartment)



Step 6

Plug the power cable into the outlet located at the bottom of the center console, and plug into a wall outlet.

Your suite assembly is now complete. Please ensure you have read the safety and electrical instructions before operating.



Leroy Recliner Chair

ⓘ The components are heavy, assembly should be performed by two people.

If you have any difficulty with assembly or operation, please contact the store of purchase in the first instance.

Please read the below safety & electrical instructions before operating

Safety Instructions

- This product is not intended for use by persons (including children) with reduced physical, sensory or mental capabilities, or lack of experience and knowledge, unless they have been given supervision or instruction concerning use of the product by a person responsible for their safety.
- Ensure there is no person, animal or item obstructing the area under the footrest before operating this product.
- Improper use or installation may result in the risk of fire, electric shock and/or injury. We assume no liability for any eventual damages caused by improper use or inappropriate handling, or by any other non-compliance with the instructions in this manual.
- Children should be supervised to ensure that they do not play with the product.
- This product contains moving parts. Keep fingers, hair and body parts well clear from moving parts. To reduce the risk of injury, keep children and pets clear of the product when in use.
- Do not sit or place additional weight on the arms, back or open footrest.
- This product is very heavy. Only move this product by lifting the main body. Never drag by the footrest, back or arm rest.
- Return this product to the full upright position to stand safely and prevent a tripping hazard.
- Do not operate this product if damage is visible in any form.
- Do not modify or use unauthorised substitute parts.
- This product has been designed and intended for indoor residential use only. It is not suitable for commercial or outdoor use.
- This product is not intended to be used as part of a health care plan. Consult your medical professional before operating if you are taking medication or have physical limitations.

Electrical Instructions

- Never force the back or footrest to close faster than the electric motor.
- Before commencing cleaning or maintenance, ensure this product is disconnected from the power outlet and the back is in the full upright position.
- Disconnect this product from the power outlet before moving.
- Cease operation and disconnect from the power outlet if you ever detect a burning odour or smoke coming from the product.
- Do not operate this product if liquid spillage occurs on or around it. Disconnect from the power outlet and allow product to completely dry before reconnecting.
- Do not operate the power functions or charge station with wet hands.
- Check the condition of the power cord, electrical cords, transformer, plug and connector on a monthly basis. Do not operate if wear is visible.
- Ensure the power cord, electrical cords and transformer are clear of moving parts and not trapped underneath the base.
- Position the power cord to minimise a tripping hazard.
- Never attempt to open or disassemble electrical components.
- We recommend the use of a surge protector (not included).

Synargy is a registered responsible supplier on ERAC. Electrical components within our products have been tested to comply with legal requirements imposed for electrical safety and EMC.

Step 1

Remove all packaging and set aside in a safe location before disposal or recycling of applicable materials. On the bracket of the seat base is a package containing the power supply - remove and set this aside for the final step.

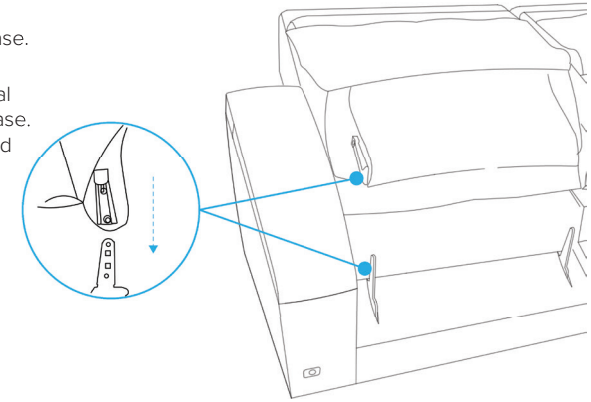
Step 2

Place the backrest face down on the seat base.

Lift the backrest individually to align the metal receivers with the metal posts of the chair base. Allow the posts to slide into the receivers and press down firmly on the top of the backrest until a click is heard on each side.

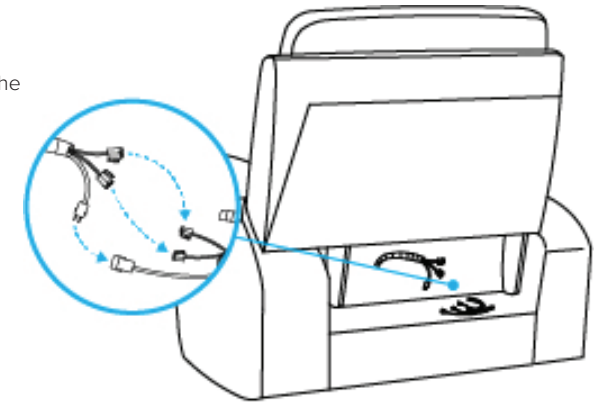


Scan QR code for a video of this step



Step 3

Connect the plugs between the seat backrest and seat base, these are for the powered headrest and speakers.



Step 4

Plug the power supply into the outlet located at the bottom of the seat base, and plug into a wall outlet.

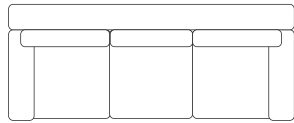
Your suite assembly is now complete. Please ensure you have read the safety and electrical instructions before operating.

ⓘ Make sure all plugs are connected on the product before plugging the power cords into a wall outlet - otherwise product damage may occur. The USB ports (where applicable) are designed with working voltage of 5V and can NOT be used to supply power for laptop computers (neither PC or Mac). Plugging a laptop computer to the USB port may end up damaging either the computer or the USB port due to unmatched working voltage.

Your Leroy lounge suite is equipped with Bluetooth speakers and is capable of pairing multiple pieces together from a single audio source. The 3 and 2 Seater sofas both come with the remote control required to connect pieces together and control volume. If only a recliner is purchased, a separate remote control will need to be purchased to use the full speaker functionality. All included remote controls can operate any of the Leroy lounge pieces. Any extra remote controls can be kept as a spare.

One piece of your sofa pieces will act as a 'master' to broadcast audio to the other pieces in your lounge suite.

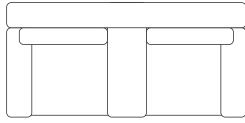
3 Seater Sofa



This piece has:

- ✓ Speakers
- ✓ Subwoofer
- ✓ Remote Control

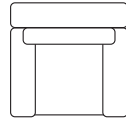
2 Seater Sofa



This piece has:

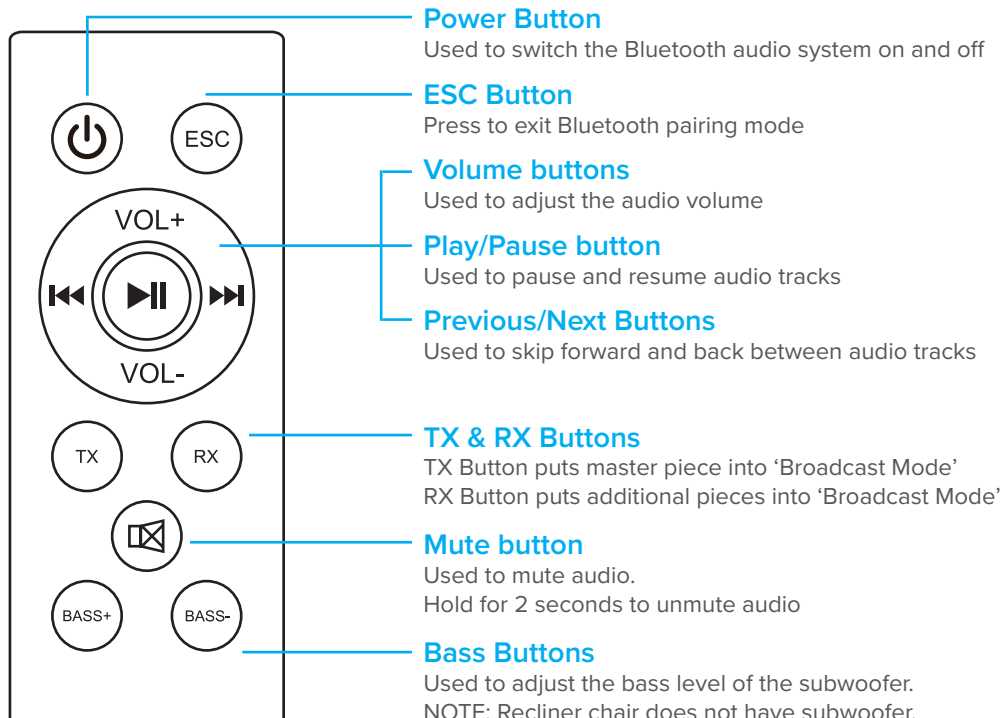
- ✓ Speakers
- ✓ Subwoofer
- ✓ Remote Control

Recliner Chair



This piece has:

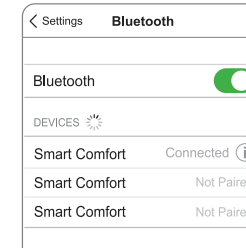
- ✓ Speakers
- ✗ Subwoofer
- ✗ Remote Control



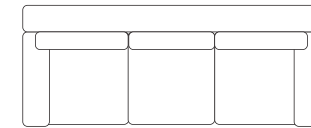
How To Setup and Link Your Leroy Bluetooth Sound System

1. Ensure all lounge suite pieces are powered on and the speaker should say "Power on". If not, switch the Bluetooth audio system on using the **power button** on the remote control. When Bluetooth is switched on, the speakers will say "Power on" followed by "Wait for pairing".
2. Search for Bluetooth devices on your music playing device. The Bluetooth name is "Smart Comfort" and one device will show for each Leroy piece you have. It can be useful to rename the Bluetooth devices on your music playing device once you have identified them.

Connect to a sofa or chair as your 'master'. It will say "Bluetooth connected" when paired.

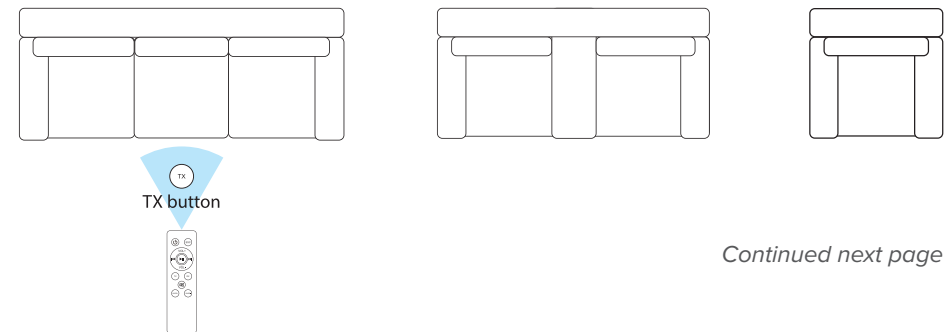


"Bluetooth connected!"



3. Put the first connected or 'master' lounge suite piece into **Broadcast Mode** by pointing the remote at it and pressing the **TX button**. The speakers will say "Broadcast Mode".

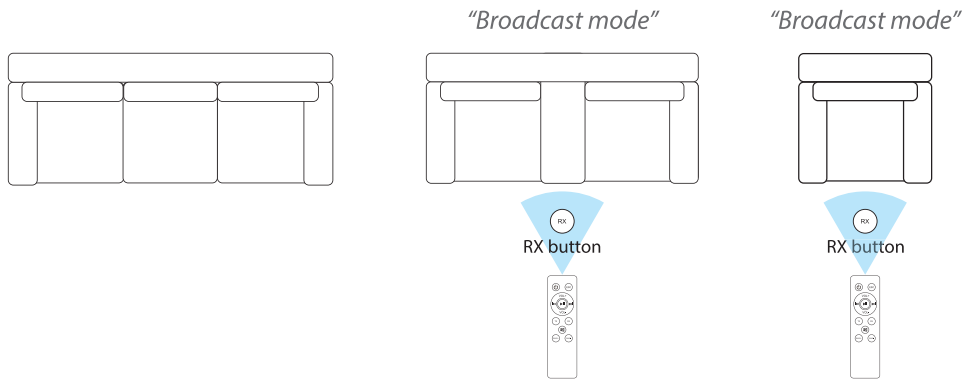
"Broadcast mode"



Continued next page

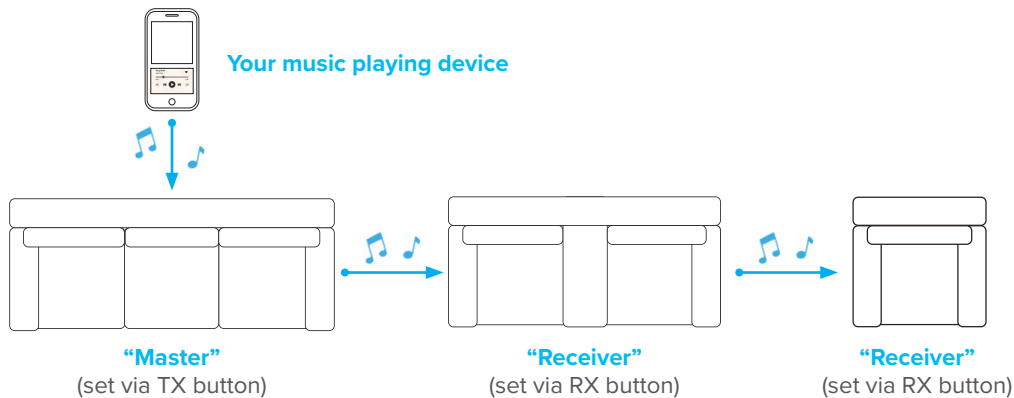
4. Put the second lounge suite piece into **Broadcast Mode**, this time using the **RX button**. The speakers will say “*Broadcast mode*”. By entering **Broadcast Mode** with the **RX button**, the next piece of the lounge suite will connect to and receive the audio signal from the first or ‘master’ lounge suite piece. Repeat this step for each additional piece of Leroy you have.

If you have just one piece (just one sofa, or just a recliner chair) you can simply connect directly from your music playing device.



5. Enjoy your music, movies or games with surround sound audio!

Your music playing device may automatically remember the Bluetooth connection with the “master” lounge suite piece and connect back up when powered on or in range. Subsequent lounge pieces will need to be manually reconnected using the previous steps.



HAND CONTROLS OPERATION INSTRUCTIONS

LEROY LOUNGE

